

Technical Specifications

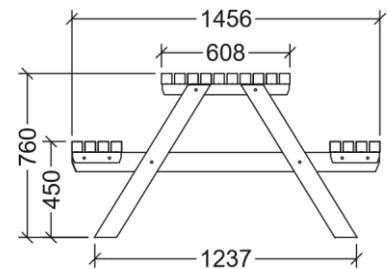
MURRAY PICNIC SETTING

FEATURES

The Murray Picnic setting is a classic piece of park furniture that can be loved and enjoyed for longer now that it is made from composite recycled plastic with galvanised steel fixings.

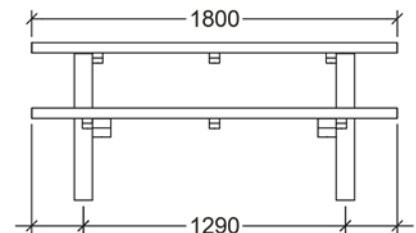
The Murray Picnic setting forms part of the Envire range of park furniture that is used throughout Australia, because it is

- Durable and long lasting
- Tolerant of extreme climates, particularly wet or saline conditions
- Resistant to rot, termites and other pests
- UV resistant, does not fade or crack
- Comfortable and seats six adults without the risk of splinters
- Accessible for wheelchairs at either end
- Flat packed to reduce freight costs
- Easy to assemble with clear instructions



RECYCLABLE

Integrated Recycling's (IR) patented composite recycled plastic is manufactured in Australia from recovered agricultural plastic films and other recycled plastics combined with organic fibre. Integrated Recycling gives plastics a second life so that waste no longer means landfill. By purchasing the Envire range you are truly recycling.

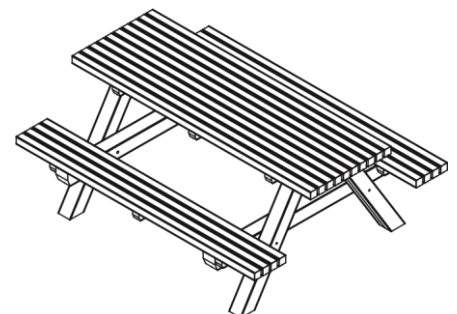


ORDER CODE

- ODF100 – 1200mm
- ODF101 – 1800mm
- ODF106 – 2400mm

COLOUR OPTIONS

Charcoal **Rich Earth Brown**



WE ARE HERE TO HELP

If there is anything more you need to know about any item in IR's range of composite recycled plastic products, please call our knowledgeable staff on **1300 729 253** or info@integratedrecycling.com.au

More information and furniture ideas visit: <http://www.integratedrecycling.com.au/outdoor-furniture/>